



**Enhance Your  
Jewish Home**

[www.Kosher-Innovations.com](http://www.Kosher-Innovations.com)

**INSTRUCTION MANUAL**

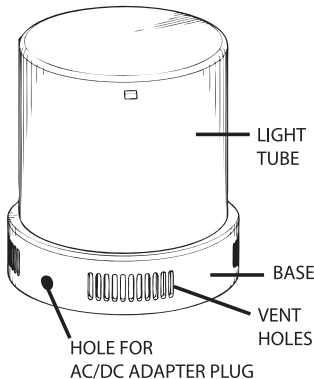
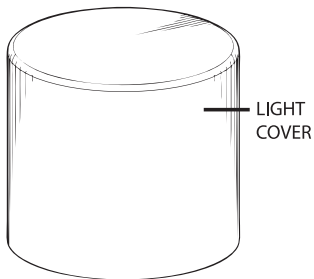
## MAZEL TOV!

You are now the owner of the patented KasherLamp® 360 brand shabbos lamp. We hope you will enjoy the convenience this compact and very bright KasherLamp® can offer you, wherever you may be.

Before operating your KasherLamp® 360, please read the following safety and operation instructions.

### CAUTION:

- Do not cover vent holes located on the sides and bottom of the KasherLamp®
- Use KasherLamp® 360 only on hard, flat surfaces. Do not use it on carpeting or fabric
- Do not immerse in water
- Do not operate near flammable gas or liquids



## NON-SLIP PADS

To keep your KasherLamp® 360 steady, the bottom of the unit has been fitted with non-slip pads. After some use, these pads may get some dust or lint on them and may become less effective. To restore their grip, wipe them off with a slightly damp cloth or paper towel.



## TRAVEL

We have provided a soft travel bag with a drawstring to hold the KasherLamp® 360 and its power cord and plug-adaptor. Keep all these items together so you will always be ready for travel.

## REPLACEMENT PARTS

For replacement power cord adapters or plug-adapters:

**Order Online:** [www.kosher-innovations.com](http://www.kosher-innovations.com)

**Call Toll Free:** North America: 1-866-661-5483

**Outside North America:** 416-638-9111

**E-mail:** [headoffice@kosherlamp.com](mailto:headoffice@kosherlamp.com)

## OPERATING INSTRUCTIONS

Before first use, remove the plastic sheet attached to the bottom of the KosherLamp® 360. Then place the Lamp in the desired location. There are no bulbs to install.

1. Plug in the power cord into an electrical outlet. Use a plug-adaptor if necessary, a transformer is not required as it is built into the power cord.
2. Plug the cylindrical end of the power cord into the hole at the base of the KosherLamp® 360 .
3. Press the switch to the ON position. (It is located on the power cord).
4. Adjust the light according to your needs.

### GET THE LIGHT JUST RIGHT

The black cap has built-in tracks that allow it to be raised, lowered or twisted into position. If you remove the cap, before replacing it, make sure to line up the three pegs on the light tube with the three tracks on the inside of the black cap.



Closed Position  
(no light)



Low Position  
(like a nightlight)



Mid Position  
(more light)



High Position  
(lots of light)

## TO INCREASE LIGHT:

1. Rotate the Light Cover counter- clockwise.
2. Lift the Cover slightly and gently turn clockwise while continuing to lift.
3. The Light Cover will slide into the next Light Position.
4. Repeat steps 1-3 to get more light.

## TO DECREASE LIGHT:

1. Rotate Light Cover counter-clockwise.
2. Lower the Cover slightly and gently turn clockwise while continuing to lower the Cover.
3. The Light Cover will slide into the next Light Position.
4. Repeat steps 1-3 to decrease the light.

## THE POWER CORD

The AC/DC Adapter must be plugged in for the KoshersLamp® 360 to operate. It has a standard two prong plug for use in North America. Its built-in transformer allows it to be used internationally in electrical outlets from 100 to 240 volts.

For wall sockets in Israel or Europe, use the plug-adapter that we have included for your convenience. For use, simply insert the prongs of the AC/DC adapter into the European plug adapter.

**Travel tip:** if you are traveling to the UK, didn't bring a plug-adapter, and are staying at a hotel, ask the front desk for one. Many hotels will have one available.



## One year Limited Warranty

**Kosher Innovations** warrants this product to be free from defects in materials and workmanship under normal consumer use **for one year from the date of original purchase**. Retain either an original receipt or gift receipt showing date of purchase and retailer name.

During this warranty period, if a manufacturer defect comes to light (pun intended), please follow the instructions for returning the product. Kosher Innovations will either repair the product or replace it. This warranty does not cover shipping, handling or delivery charges or fees. The product must be sent by prepaid mail/shipping to Kosher Innovations.

For specific instructions on how and where to obtain warranty service for your product, please contact us at: [headoffice@kosherlamp.com](mailto:headoffice@kosherlamp.com). Give us as much information as you can about the issue plus pictures of the damaged product from several angles including the bottom. You will then be provided with warranty information. Make sure to pack your item properly as Kosher Innovations is not responsible for damage in transit.

### **This Warranty does not cover and is invalid in the case of:**

- Improper installation, misuse, abuse, or neglect.
- The product is opened or dismantled.
- Any damage due to external electrical damage (eg. power surge, faulty wiring in the place of use or using a power adapter not provided by Kosher Innovations).

See website [www.Kosher-Innovations.com](http://www.Kosher-Innovations.com) for more details or call us at 1-866-661-5483 for more help.

